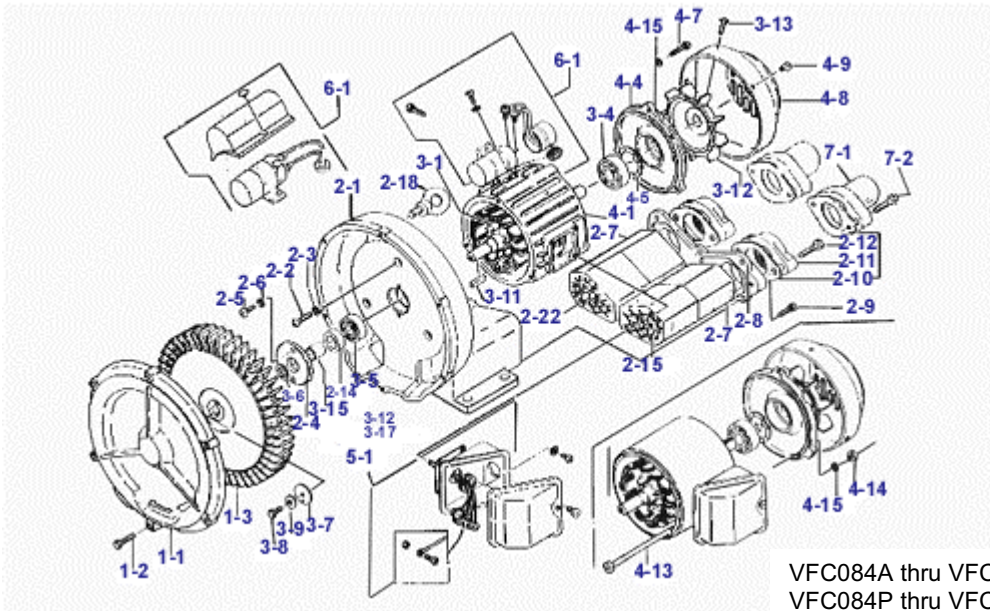


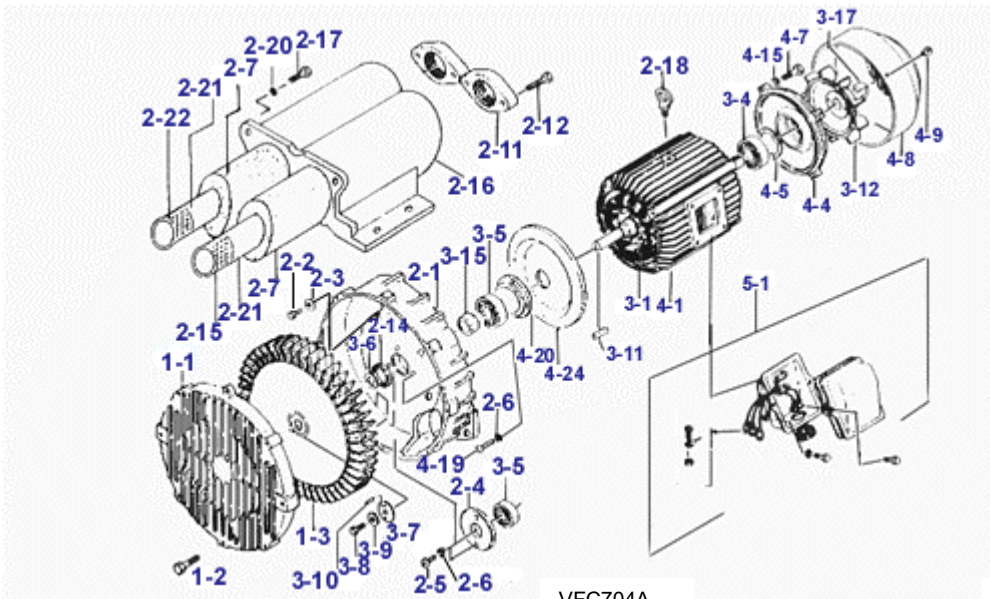
Fuji Ring Compressor Parts Diagram / List (0TH SERIES & 4TH SERIES)

VFC084A, VFC100A thru VFC600A
VFC063P thru VFC400P and 504P assembly diagram



VFC084A thru VFC500A
VFC084P thru VFC400P
Motor Parts

VFC704A thru VFC904A assembly diagram



VFC704A

PARTS LIST

When ordering specify Model No., Serial No., and Quantity.

Fig. No.	Name of Part	VFC	VFC	VFC	VFC	VFC	VFC	VFC	VFC	VFC	VFC	VFC	VFC	VFC	VFC	VFC	VFC	VFC	
		063P	084P	100P	200P	300P	400P	504P	084A	100A	200A	300A	400A	500A	604A	704A	804A	904A	
PART NO.																			
1-1	Casing Cover	06P101	8P101	1S101	2S101	3S101	4Q101	5B101	08P101	1S101	2S101	3S101	4Q101	5B101	6C101	7C101	8C101	9C101	
1-2	Bolt-Casing Cover	06P102	4P409	4Q409	1Q504	1Q504	4Q102	5A102	4P409	4Q409	1Q504	1Q504	4Q102	5A102	5A102	7A102 4P308	7A102 4P308	9A102 6A308	
1-3	Impeller	06P103	8P103	1Q103	2R103	3R103	4Q103	5C103	08P103	1Q103	2R103	3R103	4Q103	5C103	6C103	7C103	8C103	9C103	
2-1	Casing	06P201	8P201	1Q201	2S201	3R201	4B201	5S201	08P201	1S201	2R201	3R201	4B201	5C201	6D201	7C201	8C201	9C201	
2-2	Bolt-Casing	06P202	N/A	N/A	N/A	N/A	N/A	5A202	N/A	N/A	N/A	N/A	N/A	N/A	6A202	7C202	8C202	9C202	
2-3	Spring Washer	N/A	N/A	N/A	N/A	N/A	N/A	4P203	N/A	N/A	N/A	N/A	N/A	N/A	4P203	4P203	7A203	9C203	
2-4	End Cover	N/A	1P204	1Q204	2Q204	2Q204	4Q204	5C204	1P204	1Q204	2Q204	2Q204	4Q204	5C204	5C204	7A204	N/A	N/A	
2-5	Bolt-End Cover	N/A	1P205	2P205	2P205	2P205	4Q205	4P202	1P205	2P205	2P205	2P205	4Q205	4P202	4P202	4P202	N/A	N/A	
2-6	Spring Washer	N/A	1P203	2P206	2P206	2P206	2P206	4P203	1P203	2P206	2P206	2P206	2P206	2P203	4P203	4P203	4P203	4P203	
2-7	Silencer Assy.	06P207	1Q207	1Q207	2Q207	3Q207	4Q207	5B207	1Q207	1Q207	2Q207	3Q207	4Q207	5B207	6B207	7C207	8C207	9C207	
2-8	Flange	06P208	8P208	1Q208	2R208	3Q208	4Q208	5C208	08P208	1Q208	2R208	3Q208	4Q208	5C208	6B208	N/A	N/A	N/A	
2-9	Bolt-Flange	06P202	4R209	4Q205	2P205	2P205	4Q209	5C209	4R209	4Q205	2P205	2P205	4Q209	5C209	2P205	N/A	N/A	N/A	
2-10	Gasket-Flange	N/A	N/A	1P210	1P210	3P210	4P210	5A210	N/A	1P210	1P210	3P210	4P210	5A210	6A210	6A210	N/A	N/A	
2-11	Threaded Flange	N/A	N/A	1P211	1P211	3P211	4P211	4P211	N/A	1P211	1P211	3P211	4P211	4P211	6A211	6A211	8A211	9A211	
2-12	Bolt-Threaded Flange	N/A	N/A	1Q212	1Q212	3Q212	7A407	7A407	N/A	1Q212	1Q212	3Q212	7A407	7A407	6B212	6B212	9A422	9C212	
2-14	Shaft Seal	N/A	N/A	1R214	2P214	2P214	4P214	5C214	N/A	1R214	2P214	2P214	4P214	5C214	5C214	7A214	8A214	9A214	
2-15	Silencer Retaining Net (Suc)	N/A	N/A	N/A	N/A	N/A	4R215	5B215	N/A	N/A	N/A	N/A	4R215	5C215	6E215	7C215	8C215	9C215	
2-16	Silencer Box	N/A	N/A	N/A	N/A	N/A	N/A	N/A	N/A	N/A	N/A	N/A	N/A	N/A	N/A	7C216	8C216	9C216	
2-17	Bolt-Silencer Box	N/A	N/A	N/A	N/A	N/A	N/A	N/A	N/A	N/A	N/A	N/A	N/A	N/A	N/A	7A407	8C217	8A217	
2-18	Lifting Bolt	N/A	N/A	N/A	N/A	N/A	N/A	5A218	N/A	N/A	N/A	N/A	N/A	N/A	5A218	6A218	7A218	6A218	
2-20	Washer-Silencer Box	N/A	N/A	N/A	N/A	N/A	N/A	N/A	N/A	N/A	N/A	N/A	N/A	N/A	N/A	7A203	9C203	9C220	
2-21	Silencer Retaining Sheath (Suc./Del.)	N/A	N/A	N/A	N/A	N/A	N/A	N/A	N/A	N/A	N/A	N/A	N/A	N/A	N/A	7C221	8C221	9C221	
2-22	Silencer Retaining Net (Delivery)	N/A	N/A	N/A	N/A	N/A	4R222	5B222	N/A	N/A	N/A	N/A	4R222	5C222	6C222	7C215	8C215	9C215	
3-1	Rotor & Shaft Assy.	06P301	8P301	1S301	2S301	3S301	4S301	5S301	08A301	1B301	2C301	3C301	4E301	5E301	6E301	7D301	8D301	9D301	
3-5	Bearing-Front	06P304	1P304	2P304	2P304	2P304	4P304	5D305	1P304	2P304	2P304	2P304	4P304	5D305	5D305	7D305	8D305	9D305	
3-6	Bearing Shim	01P306	1P306	1P306	2P306	2P306	2P306	5C306	1P306	1P306	2P306	2P306	2P306	5C306	6C306	7A306	8A306	9A306	
3-7	Plate Retaining	06P307	1Q307	1Q307	2Q307	2Q307	4Q307	5B307	1Q307	1Q307	2Q307	2Q307	4Q307	5B307	6A307	6A307	8A307	8A307	
3-8	Bolt-Impeller	06P308	1P308	1P308	2P308	2P308	4P308	4P308	1P308	1P308	2P308	2P308	4P308	4P308	6A308	6A308	8A308	8A308	
3-9	Tab Washer	4P203	1P309	1P309	2P309	2P309	2P309	2P309	1P309	1P309	2P309	2P309	2P309	2P309	6A309	6A309	8A309	8A309	
3-10	Pin	N/A	N/A	N/A	N/A	N/A	N/A	N/A	N/A	N/A	N/A	N/A	N/A	N/A	N/A	N/A	8A310	8A310	
3-11	Key-Impeller	N/A	8P311	1P311	2P311	2P311	4P311	5B311	08P311	1P311	2P311	2P311	4P311	5B311	6A311	7A311	8A311	9A311	
3-12	Motor Fan	06P312	8P312	N/A	2S312	2S312	4S312	6D312	08P312	N/A	2S312	2S312	4S312	5D312	6D312	7D312	8D312	9D312	
3-13	Bolt-Motor Fan	N/A	8P313	N/A	2S313	2S313	2S313	2S313	08P313	N/A	2S313	2S313	2S313	2S313	2S313	N/A	N/A	N/A	
3-15	Collar	N/A	N/A	2P315	2P315	2P315	4P315	N/A	N/A	2P315	2P315	2P315	4P315	N/A	N/A	N/A	8C315	9C315	
3-17	Retaining Rings-C Type	06P317	N/A	N/A	N/A	N/A	N/A	N/A	N/A	N/A	N/A	N/A	N/A	N/A	N/A	7D317	7D317	9D317	
4-1	Frame for Stator & Protector Assy	high volt	06P4012	8S401	1T401	2T401	3S401	4S401	5S401	8A4014	1E401	2E401	3D401	4E401	5E401	6E401	7D401	8D401	9D401
		low volt	08P4011							8A4012									
4-4	Rear Housing	06P404	8P404	1T404	2P404	2P404	4D404	6D404	08P404	1T404	2P404	2P404	4D404	5D404	6D404	7C404	8C404	9C404	
4-5	Spring Washer	06P405	8P405	2P405	2P405	2P405	4P405	5C405	08P405	2P405	2P405	2P405	4P405	5C405	5C405	7A405	8A405	9A405	
4-7	Bolt-Rear Housing	4P409	N/A	N/A	N/A	N/A	N/A	N/A	N/A	N/A	N/A	N/A	N/A	N/A	5A202	7C407	6A308	9C407	
4-8	Fan Cover	N/A	8P408	N/A	2S408	3S408	4S408	6D408	08P408	N/A	2S408	3S408	4S408	5D408	6D408	7D408	8D408	9D408	
4-9	Bolt-Fan Cover	N/A	8P409	N/A	2S409	2S409	4S409	2S409	08P409	N/A	2S409	2S409	4S409	2S409	2S409	2S409	8D409	8D409	
4-13	Bolt-Frame	N/A	8P413	2P413	2P413	3P413	4B413	N/A	08P413	2P413	2P413	3P413	4D413	5D413	N/A	N/A	N/A	N/A	
4-14	Nut-Frame	2P414	2P414	2P414	2P214	2P214	9A515	N/A	2P414	2P414	2P214	2P414	9A515	9A515	N/A	N/A	N/A	N/A	
4-15	Spring Washer	1P203	1P203	1P203	1P203	1P203	2P206	4P203	1P203	1P203	1P203	1P203	2P206	2P206	4P203	4P203	7A203	9C203	
4-19	Bolt-Bearing Retainer Front	N/A	N/A	N/A	N/A	N/A	N/A	N/A	N/A	N/A	N/A	N/A	N/A	N/A	N/A	N/A	8C419	9C419	
4-20	Bearing Retainer-Front	N/A	N/A	N/A	N/A	N/A	N/A	N/A	N/A	N/A	N/A	N/A	N/A	N/A	N/A	N/A	8C420	9C420	
4-24	Front Frame Cover	N/A	N/A	N/A	N/A	N/A	N/A	N/A	N/A	N/A	N/A	N/A	N/A	N/A	N/A	7C424	8C424	9C424	
5-1	Terminal Box	N/A	1S501	1S501	1S501	1S501	4S501	5S501	1S501	1D501	1D501	1D501	4D501	1D501	6D501	6D501	8D501	9D501	
6-1	Capacitor Assy.	high volt	6P6012	8S601	1T601	2T601	3T601	4T601	5S601	N/A	N/A	N/A	N/A	N/A	N/A	N/A	N/A	N/A	
		low volt	6P6011																
7-1	Hose-Flange	N/A	N/A	1P701	1P701	3P701	4P701	4P701	N/A	1P701	1P701	3P701	4P701	4P701	6A701	N/A	N/A	N/A	
7-2	Bolt-Hose Flange	N/A	N/A	2P308	2P308	3Q702	3Q702	3Q702	N/A	2P308	2P308	3Q702	3Q702	3Q702	8A308	N/A	N/A	N/A	

The marking * 1:Recognized (Expect: -5W Models)
* 2:Recognized (All Models)